

# RoHS

REV	ECN NO.	DESCRIPTION	DESIGN	APPROVAL	DATE
A1	NEW	更换图框			2023.11.25

### SPECIFICATIONS

1. Current rating: 3A AC, DC
2. Temperature range: -25°C ~ +85°C
3. Insulation Resistance: 1000MΩ Min.
4. Withstanding voltage: 1000V AC/ minute.
5. Contact Resistance: 10mΩ Max.

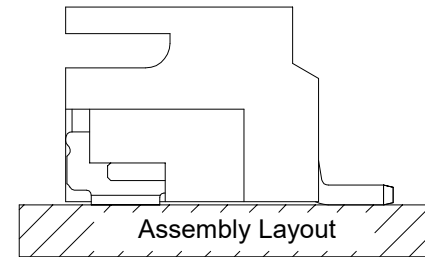
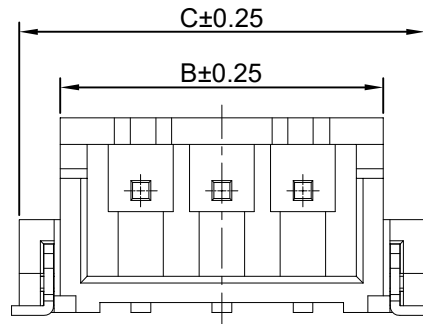
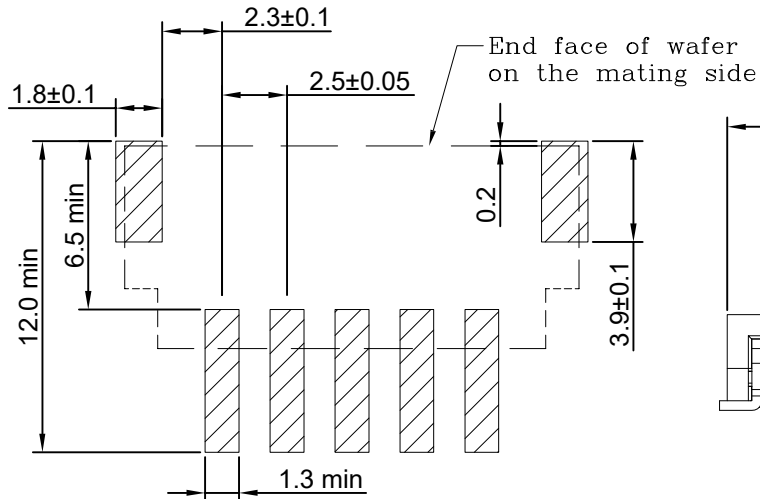
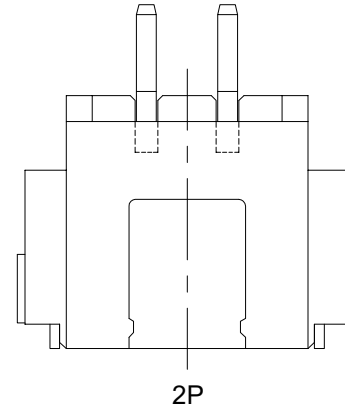
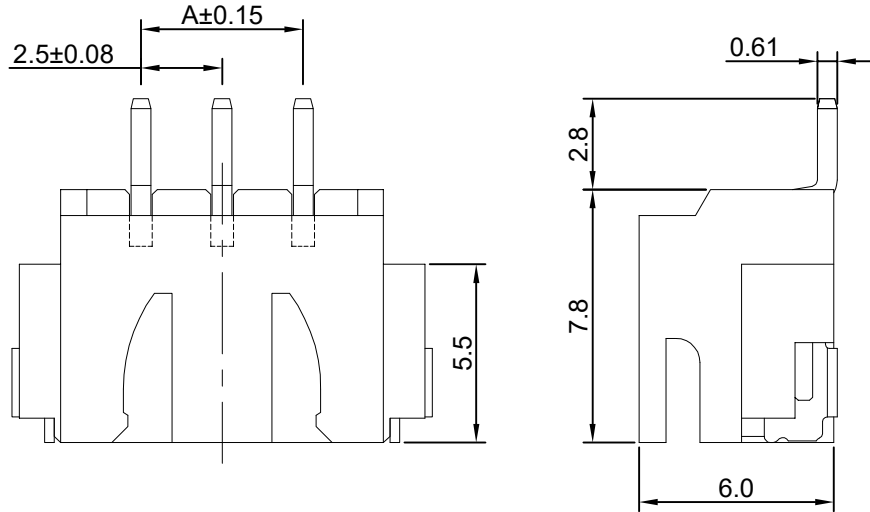
### Material:

Insulator: PA9T UL 94V-0  
 Contact: Phosphor Bronze or Brass  
 Solder Tab: Brass  
 Plating: Tin plated  
 Circuits: 02~16P  
 Mate with: XFCN P2501 series Housing

### Ordering Code:

M2501RS-XX  
 1 2

1. 序列号
2. Pin位数: 02-16P



PIN	尺寸 (mm)		
	A	B	C
02	2.50	7.45	10.00
03	5.00	9.95	12.50
04	7.50	12.45	15.00
05	10.00	14.95	17.50
06	12.50	17.45	20.00
07	15.00	19.95	22.50
08	17.50	22.45	25.00
09	20.00	24.95	27.50
10	22.50	27.45	30.00
11	25.00	29.95	32.50
12	27.50	32.45	35.00
13	30.00	34.95	37.50
14	32.50	37.45	40.00
15	35.00	39.95	42.50
16	37.50	42.45	45.00

X.±0.50	X.°±
.X±0.25	.X°±
.XX±0.15	.XX°±
.XXX±0.10	.XXX°±
UNITS:	mm

PART NO: M2501RS-XX

TITLE: 2.50mm Crimp Style Connectors

APPD	Chen ZhiQiang
CHKD	Liu Wei
DRAW	Chen HongJiang
DATE	2024.07.27

**XFCN** 兴飞连接器

0769-82001899  
 www.xfconn.com

DWG NO: /

VIEW	
SCALE	NONE
SHEET	1/1
REV	A1

THESE DRAWINGS AND SPECIFICATIONS ARE THE PROPERTY OF XFCN AND SHALL NOT BE REPRODUCED, COPIED OR CUED IN ANY MANNER WITHOUT THE PRIOR WRITTEN CONSENT OF XFCN