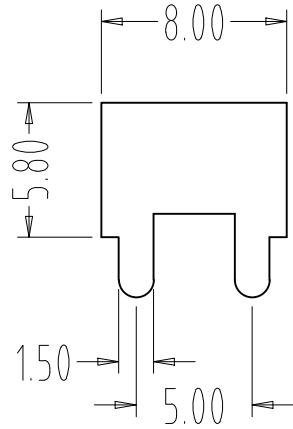
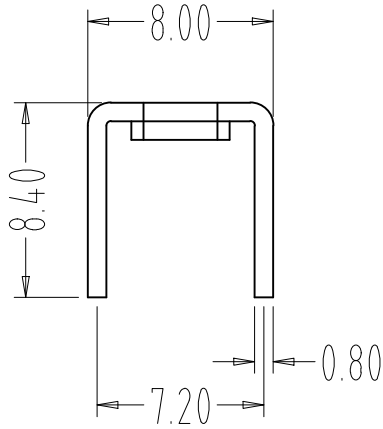
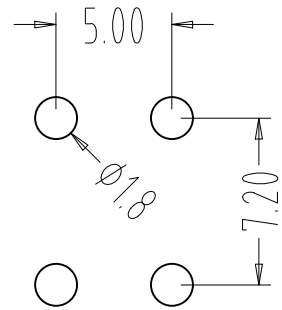
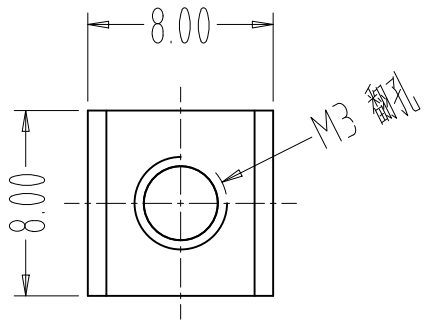


RoHS

| REV | ECN NO. | DESCRIPTION | DESIGN | APPROVAL | DATE |
|-----|---------|-------------|--------|----------|------------|
| A1 | NEW | 更换图框 | | | 2023.11.25 |

- 技术要求:
1. 打铜底0.5-1μm, 镍2-2.5μm, 哑锡3-5μm.
 2. 不得有变形, 毛刺等现象.
 3. 插脚尖部符合可焊性要求.
 4. 螺纹需符合通止规/止针要求.
 5. 螺纹扭矩: 0.5Nm.
 6. 额定电流: 40A.
 7. X为重点测量尺寸.



| | |
|------------|--------|
| >30 ±0.40 | x.°± |
| 6-30 ±0.30 | .x°± |
| 0-6 ±0.20 | .xx°± |
| ANGLES ±1° | .xxx°± |
| UNITS: | mm |

THESE DRAWINGS AND SPECIFICATIONS ARE THE PROPERTY OF XFCN AND SHALL NOT BE REPRODUCED, COPIED OR CUED IN ANY MANNER WITHOUT THE PRIOR WRITTEN CONSENT OF XFCN

| | | | | |
|-------------------------------|------------|-------------------|-------|-----|
| PART NO: T34001 | | XFCN 兴飞连接器 | | |
| TITLE: PCB SOLDERING TERMINAL | | 0769-82001899 | | |
| | | www.xfconn.com | | |
| | | DWG NO: / | | |
| APPD | | VIEW | | |
| CHKD | | SCALE | SHEET | REV |
| DRAW | Wang | NONE | 1:1 | A1 |
| DATE | 2023.11.25 | | | |

| | | | | |
|----|----|------|---------|----|
| 1 | 插脚 | | H62(Y2) | 1 |
| 序号 | 名称 | 零件编号 | 材质 | 数量 |